

PORTER

**Standard Ball Lock
Punch Retainers**

WORLD-CLASS QUALITY



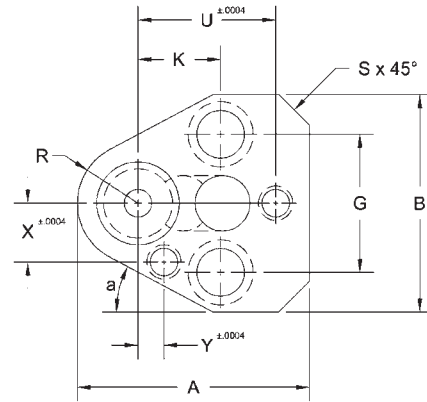
AVAILABLE WORLD-WIDE



STANDARD BALL LOCK PUNCH RETAINERS

CAD DATA AVAILABLE UPON REQUEST

INCH

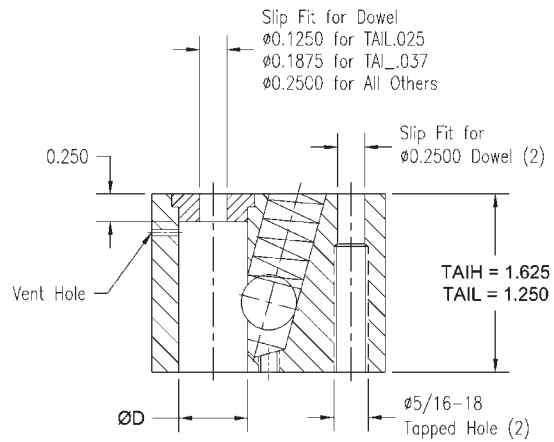


Retainer Set Includes:

- 1 Ball
- 2 Dowels
- 1 Spring
- 1 Ball Release
- 2 Screws
- Set Screw

Material:

Retainer: SAE 4140/43-48 HRc.
Backing Plug: SAE S1 / 50 - 54 HRc.



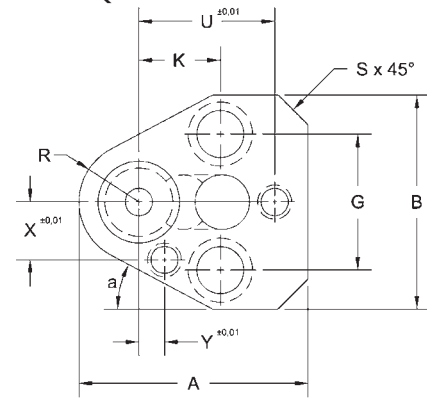
INCH

Catalog Number	ØD	A	B	U	Y	K	G	X	R	S	a°	Screw Size
LIGHT DUTY												
ILR 025	0.250	1.744	1.614	1.060	0.295	0.750	0.876	0.354	0.37	0.197	30°	5/16-18
ILR 037	0.375	1.744	1.614	1.060	0.295	0.750	0.876	0.354	0.37	0.197	30°	5/16-18
ILR 050	0.500	1.984	1.850	1.180	0.256	0.750	1.124	0.472	0.49	0.256	28°	3/8-16
ILR 062	0.625	2.106	1.969	1.250	0.236	0.750	1.250	0.532	0.55	0.276	28°	3/8-16
ILR 075	0.750	2.366	2.165	1.320	0.197	0.750	1.376	0.650	0.69	0.315	28°	3/8-16
ILR 087	0.875	2.492	2.291	1.400	0.197	0.750	1.376	0.728	0.75	0.433	28°	3/8-16
ILR 100	1.000	2.744	2.480	1.600	0.276	0.938	1.562	0.866	0.87	0.354	28°	1/2-13
HEAVY DUTY												
IHR 037	0.375	1.744	1.614	1.060	0.295	0.750	0.876	0.354	0.37	0.197	30°	5/16-18
IHR 050	0.500	1.984	1.850	1.180	0.256	0.750	1.124	0.472	0.49	0.256	28°	3/8-16
IHR 062	0.625	2.106	1.969	1.250	0.236	0.750	1.250	0.532	0.55	0.276	28°	3/8-16
IHR 075	0.750	2.366	2.165	1.320	0.197	0.750	1.376	0.650	0.69	0.315	28°	3/8-16
IHR 087	0.875	2.492	2.291	1.400	0.197	0.750	1.376	0.728	0.75	0.433	28°	3/8-16
IHR 100	1.000	2.744	2.480	1.600	0.276	0.938	1.562	0.866	0.87	0.354	28°	1/2-13
IHR 125	1.250	2.744	2.480	1.600	0.276	0.938	1.562	0.866	0.87	0.354	28°	1/2-13



STANDARD BALL LOCK PUNCH RETAINERS

CAD DATA AVAILABLE UPON REQUEST

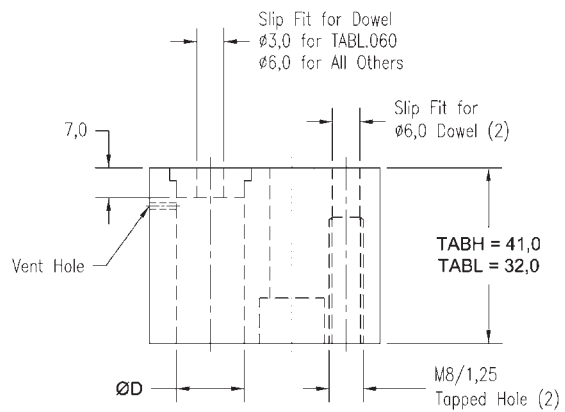


Retainer Set Includes:

- 1 Ball
- 1 Spring
- 2 Screws
- 2 Dowels
- 1 Ball Release
- Set Screw

Material:

Retainer: SAE 4140/43-48 HRc.
Backing Plug: SAE S1 / 50 - 54 HRc.



METRIC

METRIC

Catalog Number	ØD	A	B	U	Y	K	G	X	R	S	a°	Screw Size
LIGHT DUTY												
MLR 060	6	35,0	37,5	23,000	9,0	19,0	22,00	8,0	8,0	5,0	30°	M6/1,00
MLR 100	10	44,3	41	26,925	7,5	19,05	22,24	9,0	9,5	5,0	30°	M8/1,25
MLR 130	13	50,4	47	29,970	6,5	19,05	28,54	12,0	12,5	6,0	28°	M8/1,25
MLR 160	16	53,5	50	31,750	6,0	19,05	31,74	13,5	14,0	7,0	28°	M8/1,25
MLR 200	20	60,1	55	33,530	5,0	19,05	34,94	16,5	17,5	8,0	28°	M10/1,50
MLR 250	25	69,7	63	40,640	7,0	23,82	39,68	22,0	22,0	9,0	28°	M12/1,75
MLR 320	32	69,7	63	40,640	7,0	23,82	39,68	22,0	22,0	9,0	28°	M12/1,75
MLR 380	38	76,4	73	43,993	10,0	27,00	48,00	26,0	26,0	10,0	28°	M12/1,75
HEAVY DUTY												
MHR 100	10	44,3	41	26,925	7,5	19,05	22,24	9,0	9,5	5,0	30°	M8/1,25
MHR 130	13	50,4	47	29,970	6,5	19,05	28,54	12,0	12,5	6,5	28°	M8/1,25
MHR 160	16	53,5	50	31,750	6,0	19,05	31,74	13,5	14,0	7,0	28°	M8/1,25
MHR 200	20	60,1	55	33,530	5,0	19,05	34,94	16,5	17,5	8,0	28°	M10/1,50
MHR 250	25	69,7	63	40,640	7,0	23,82	39,68	22,0	22,0	9,0	28°	M12/1,75
MHR 320	32	69,7	63	40,640	7,0	23,82	39,68	22,0	22,0	9,0	28°	M12/1,75
MHR 400	40	76,4	73	43,993	10,0	27,00	48,00	26,0	26,0	10,0	28°	M12/1,75



Ohio
 P.O. Box 531640
 2734 Banning Rd.
 Cincinnati, Ohio 45239-5504
 (513) 923-3777
 (800) 543-7041
 Fax: (513) 923-1111
 www.porterpunch.com
 email: porter@porterpunch.com

Georgia
 660 James Rd.
 Alpharetta, Georgia 30004
 (770) 751-7234
 1-800-437-5185
 Fax: (770) 751-7238
 email: porterprecision@bellsouth.net

Porter Precision Products Canada, Ltd.
 45 Durward Place
 Waterloo, Ontario, Canada N2L 4E5
 (519) 746-3130
 (519) 746-6960 FAX
 email: porterpunches@porterpunches.ca

Outside Waterloo
 (800) 265-8844

Porter Precision Products De Mexico, S.A. de C.V.
 Calzada San Pedro #250 Nte.
 Col. Miravalle
 Monterrey, N.L., C.P. 64660
 52(81) 8124-0047
 52(81) 8124-0048 FAX
 email: portermex@hqglobal.com.mx

England
 Porter Precision Products LTD.
 Masons Road, Stratford-Upon-Avon
 Warwickshire, England CV37 9NF
 (1789) 292409
 (1789) 292241 FAX
 Porter.punch@btconnect.com