



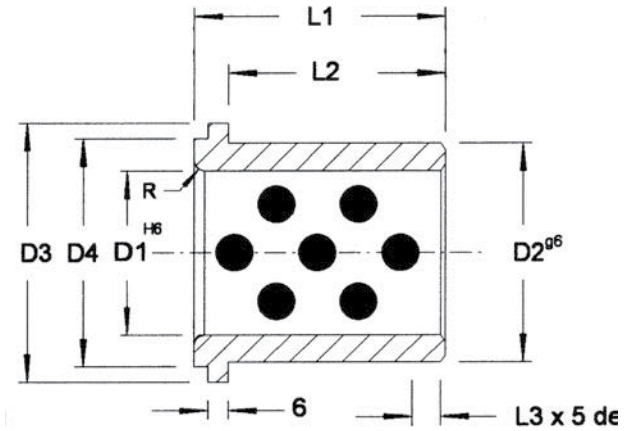
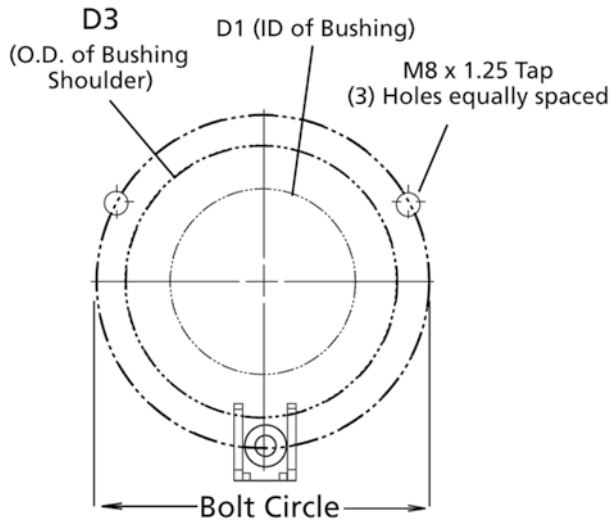
Metric
GRAPHITE IMPREGNATED
BUSHINGS



NOTE: MDL Self Lubricating Metric Bushings, (Metric Graphite Impregnated Bronze Alloy Bushings), are interchangeable with self lubricating metric bushings from "Lamina" (and other manufacturers) of the same size and type. MDL Metric Self Lubricating Bushings are designed to be used with Plain Bearing Metric Guide Pins from MDL, "Lamina", and other manufacturers.

"Lamina" is a registered trademark of Anchor Lamina America Inc.. MDL Mold & Die Components, Inc. is not connected, in any way, to Lamina, or Anchor/Lamina America Inc..

Metric Graphite Impregnated Bushings



Material: Aluminum Bronze Alloy with Graphite plugs. Each Bushing supplied with (3) toe clamps (B02008000) and (3) screws. (M8 x 20 SHCS)

MDL Number	NAAMS Number	D1	D2	D2 tol	D3	B.C.	D4	L1	L2	L3	R
G622540	G612540	25	32	-.009 -.025	40	58	32	40	30	3	3
G623250	G613250	32	40	-.009 -.025	50	68	40	50	40	4	3
G624063	G614063	40	50	-.009 -.025	63	81	50	63	50	5	3
G625071	G615071	50	63	-.010 -.029	71	89	63	71	56	6	5
G626380	G616380	63	80	-.010 -.029	90	108	80	80	63	8	6
G628010	G618010	80	100	-.012 -.034	112	130	100	100	80	10	8



4572 North Long Road • Columbus, IN 47203
 (800) 574-0059 or (812) 373-0021 • fax: (812) 373-0042
www.mdlcomponents.com